

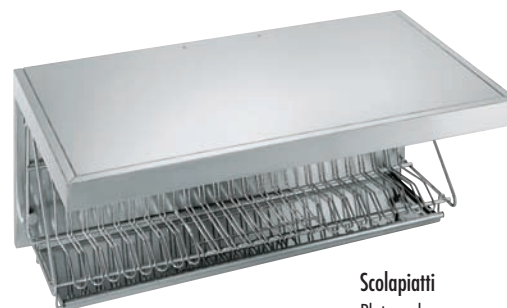
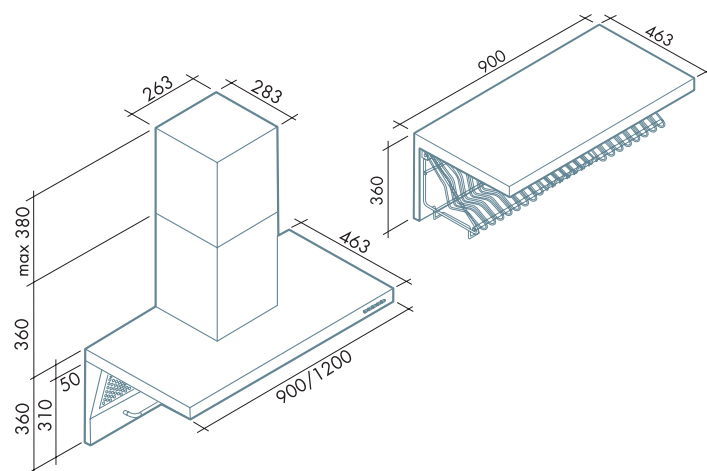
MASTER

Caratteristiche generali

Acciaio inox (AISI 304) spazzolato. Filtro antigrasso metallico, asportabile e lavabile. Filtro carbone.

General features

Scotch brite Stainless steel (AISI 304). Metallic grease filter, removable and washable. Charcoal filter.



Scolapiatti
Plate-rack



Pratico bastone portamestoli
Ladle holder



NEW!
Faretto alogeno con apertura "Easy Open"
Halogen light with "Easy Open" system



parete/wall
/
90
120

scolapiatti/plate-rack
90

motore e comandi / motor and control			filtri / filters			illuminazione / lighting				
450 m ³ /h 3 vel.	600 m ³ /h 3 vel.	800 m ³ /h 4 vel.	"Base"	"Design"	carbone/charcoal	Halogen lamp	Dicroica lamp	Incandescent lamp	Fluorescent lamp	
P.M.	P.M.	P.E.L.		278 x 301 mm	3	2 x 20 Watt				
	P.M.	P.E.L.		278 x 301 mm	3	2 x 20 Watt				
						2 x 20 Watt				

ACCESSORI OPZIONALI DISPONIBILI: Aspiratore sottotetto (solo versione 800 m³/h) - Aspiratore esterno (solo versione 800 m³/h) - Filtro Top - Salvietta *Magic Steel*
AVAILABLE OPTIONAL ACCESSORIES: Under-roof extractor fan (only 800 m³/h version) - Outdoor extractor fan (only 800 m³/h version) - Top grease filter - *Magic Steel* protective and cleaning wipe

MASTER

Design

^{new}
450 600 800

AISI 304



Design