

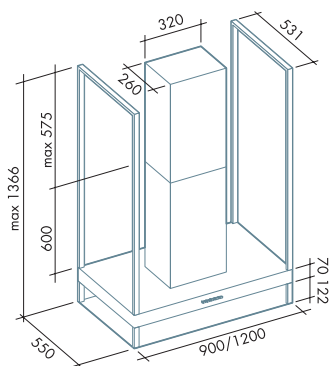
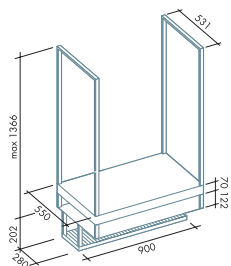
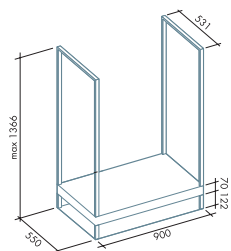
# ASIA

## Caratteristiche generali

Acciaio inox (AISI 304) spazzolato. Filtro carbone. Filtro antigrasso metallico, asportabile e lavabile. Finitura in vetro temperato.

## General features

Scotch brite Stainless steel (AISI 304). Metallic grease filter, removable and washable. Charcoal filter. Finishing tempered glass.



**NEW!**  
Faretto alogeno con apertura "Easy Open"  
Halogen light with "Easy Open" system



|              |
|--------------|
| isola/island |
| /            |
| 90           |
| 120          |

mensola/wall shelf

90

scolapiatti/plate-rack

90

| motore e comandi / motor and control |        |          | filtri / filters |          |        | illuminazione / lighting |              |                  |              |               |                   |                  |
|--------------------------------------|--------|----------|------------------|----------|--------|--------------------------|--------------|------------------|--------------|---------------|-------------------|------------------|
| 450 m³/h                             | 3 vel. | 600 m³/h | 3 vel.           | 800 m³/h | 4 vel. | "Base"                   | "Top"        | carbone/charcoal | Halogen lamp | Dicroica lamp | Incandescent lamp | Fluorescent lamp |
|                                      |        | P.M.     |                  | P.E.L.   |        |                          | 278 x 301 mm | 3                | 4 x 20 Watt  |               |                   |                  |
|                                      |        | P.M.     |                  | P.E.L.   |        |                          | 278 x 301 mm | 3                | 4 x 20 Watt  |               |                   |                  |
|                                      |        |          |                  |          |        |                          |              |                  |              |               |                   |                  |
|                                      |        |          |                  |          |        |                          |              |                  | 4 x 20 Watt  |               |                   |                  |
|                                      |        |          |                  |          |        |                          |              |                  | 4 x 20 Watt  |               |                   |                  |

ACCESSORI OPZIONALI DISPONIBILI: Aspiratore sottotetto (solo versione 800 m³/h) - Aspiratore esterno (solo versione 800 m³/h) - Salvietta *Magic Steel*  
AVAILABLE OPTIONAL ACCESSORIES: Under-roof extractor fan (only 800 m³/h version) - Outdoor extractor fan (only 800 m³/h version) - *Magic Steel* protective and cleaning wipe

# ASIA

new

600 800

AS 304

# Design



Design